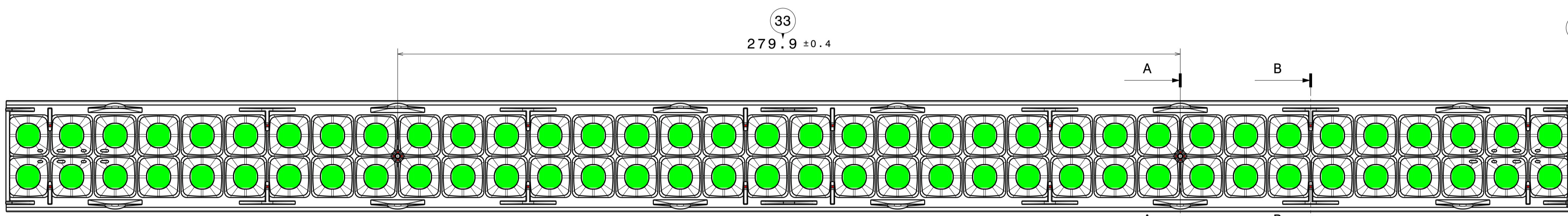
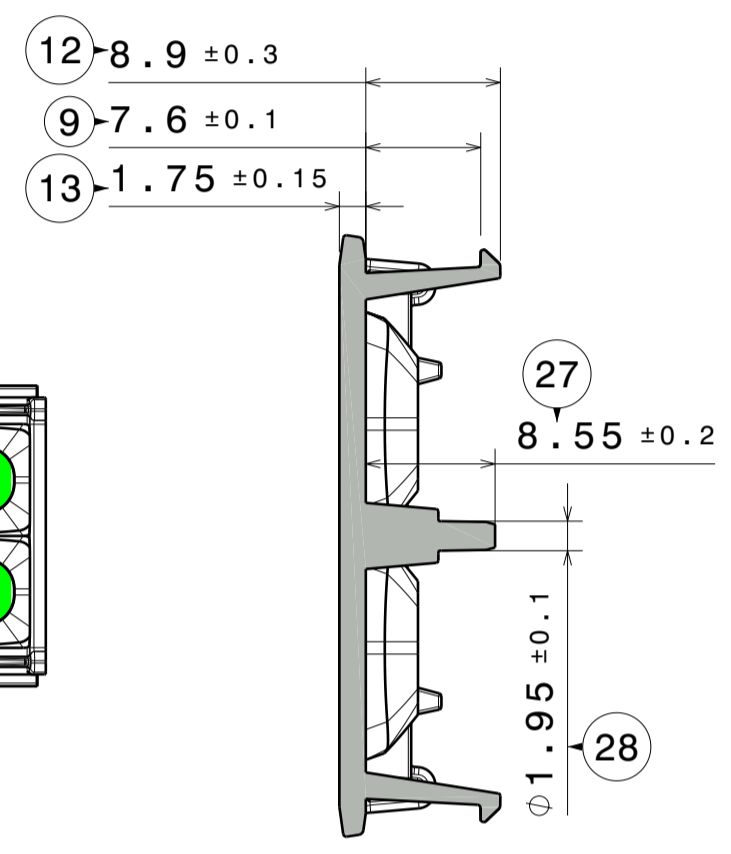


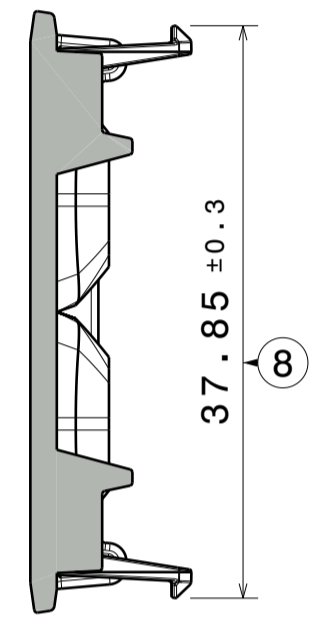
Top View
Scale: 1:1



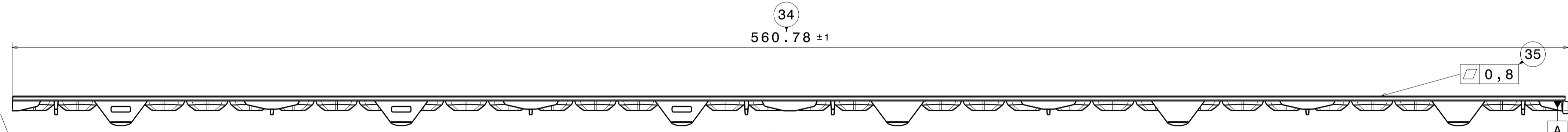
Bottom View
Scale: 1:1



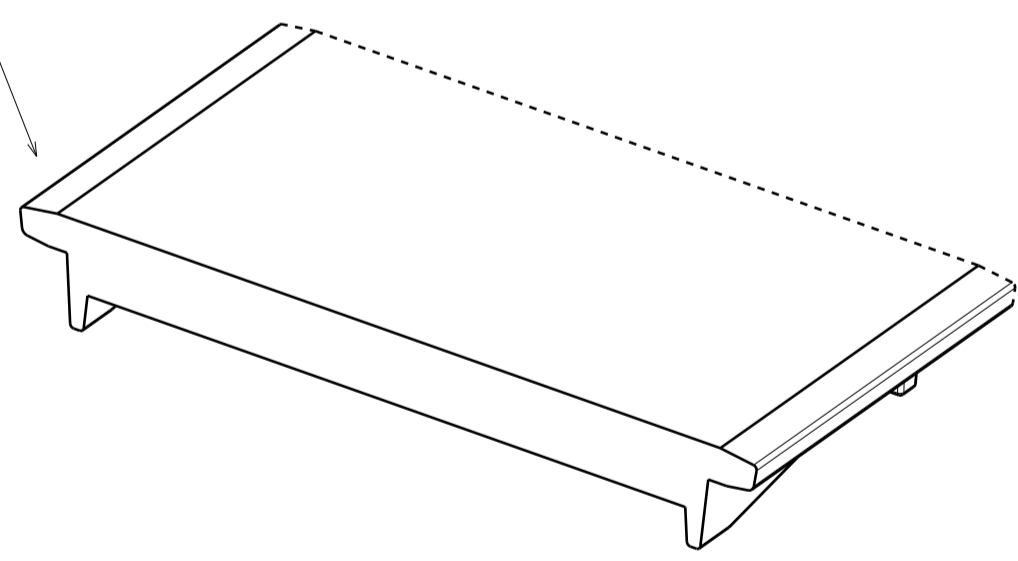
Section view A-A
Scale: 2:1



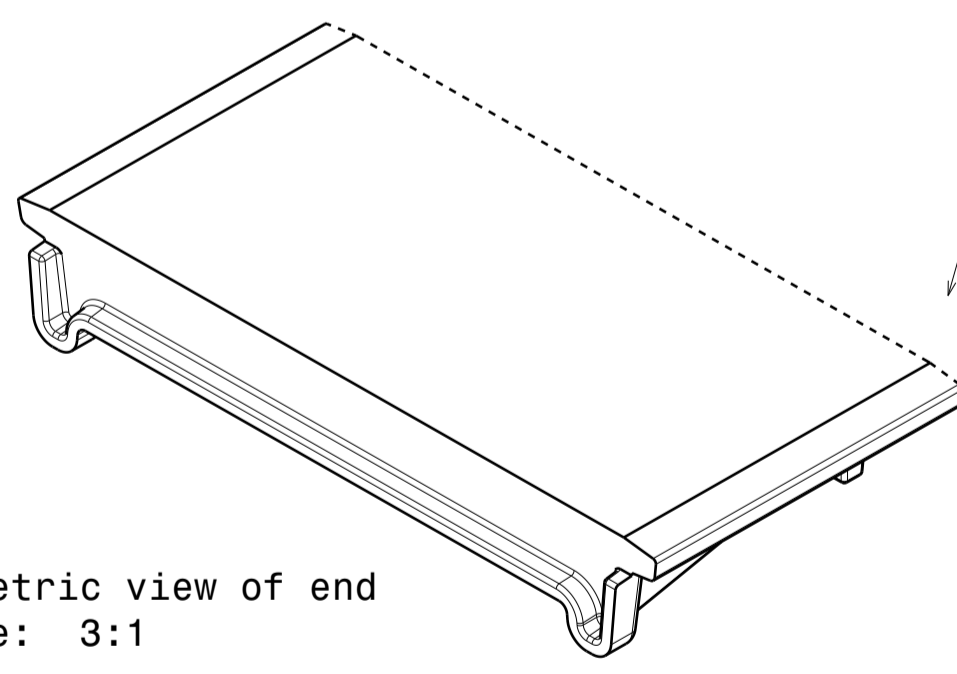
Section view B-B
Scale: 2:1



Right View
Scale: 1:1



Isometric View of end
Scale: 3:1



Isometric view of end
Scale: 3:1

Notes

●	PCB or heatsink level.
●	LED location
	Ensure LED fitting from a product specific 3D model available from www.ledil.com
	For more details about installation please see LEDiL Installation Guide on www.ledil.com

PART	C19842_LIANNA-2R-90-L2C_006_MechanicalModel_001	MATERIAL	PMMA	COLOR / COATING	CLEAR
MECHANICAL DRAWING					
PRODUCT	LIANNA				
Plastic moulding general tolerances according to DIN 16901-130 and applies if not otherwise shown in the drawing. Silicone moulding general tolerances according to ISO 3302-1 Class M3 and applies if not otherwise shown in the drawing.		FIRST ANGLE PROJECTION:		This drawing is the property of LEDiL Oy. It may not be copied or otherwise distributed without prior written permission from LEDiL Oy.	
SCALE	1:1	WEIGHT	88g	A1 SHEET 1/1	

